

# AUTOMATIC ROLLER/PARTICLE MILLS

FOR ON FARM PRODUCTION OF FEED GRAIN FOR BEEF, DIARY CATTLE AND PIGS

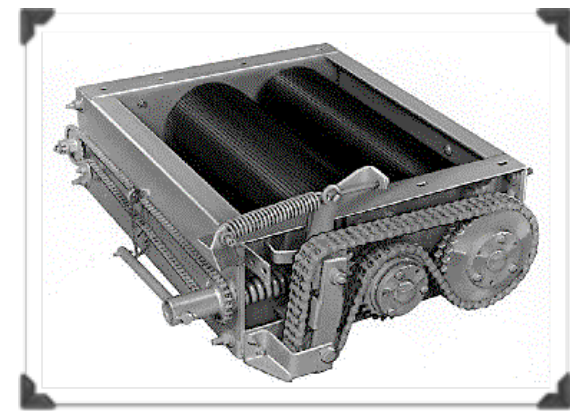
Used to mill feed for dairy and beef cattle, and pigs. It replaces the hammer mill. Economical and versatile, this low profile mill is the ideal all-purpose machine.

## FEATURES:

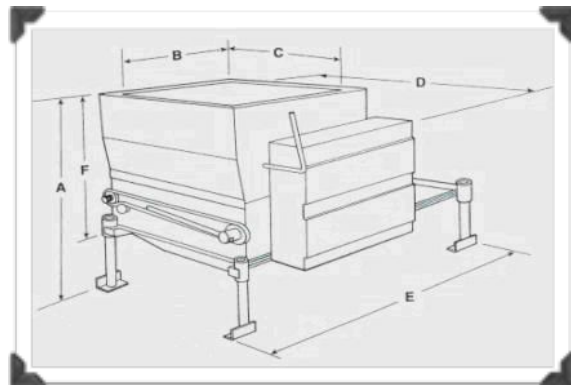
- Reduces livestock lung damage caused by dust by as much as 50% versus hammer mills.
- Requires 33% less horsepower per tonne than hammer mills.
- Precise roll corrugation for uniform particle size
- Versatile – mount under discharge outlets or overhead.
- Set rolls with a single lever
- Auger options for discharge
- One fast roll system means that one roll turns faster than the other increasing output capacity and producing a self-cleansing action.



ABC 1800



INTERIOR WORKINGS OF ROLLER MILL



Model	ABC 900	ABC 1800	ABC 3600
Roll Size	23 cm x 46 cm	23 cm x 86 cm	30 cm x 1.2 m
Weight	330 kg	485 kg	885 kg
HP motor	10 - 15	25 - 30	60 - 75



P. O. BOX 849  
 MOBILE, ALABAMA 36601 USA  
 TEL + 1 251 438 9881 EMAIL : [mobile@opico.com](mailto:mobile@opico.com)  
 FAX + 1 917 464 7982 or +1 347 710 1058